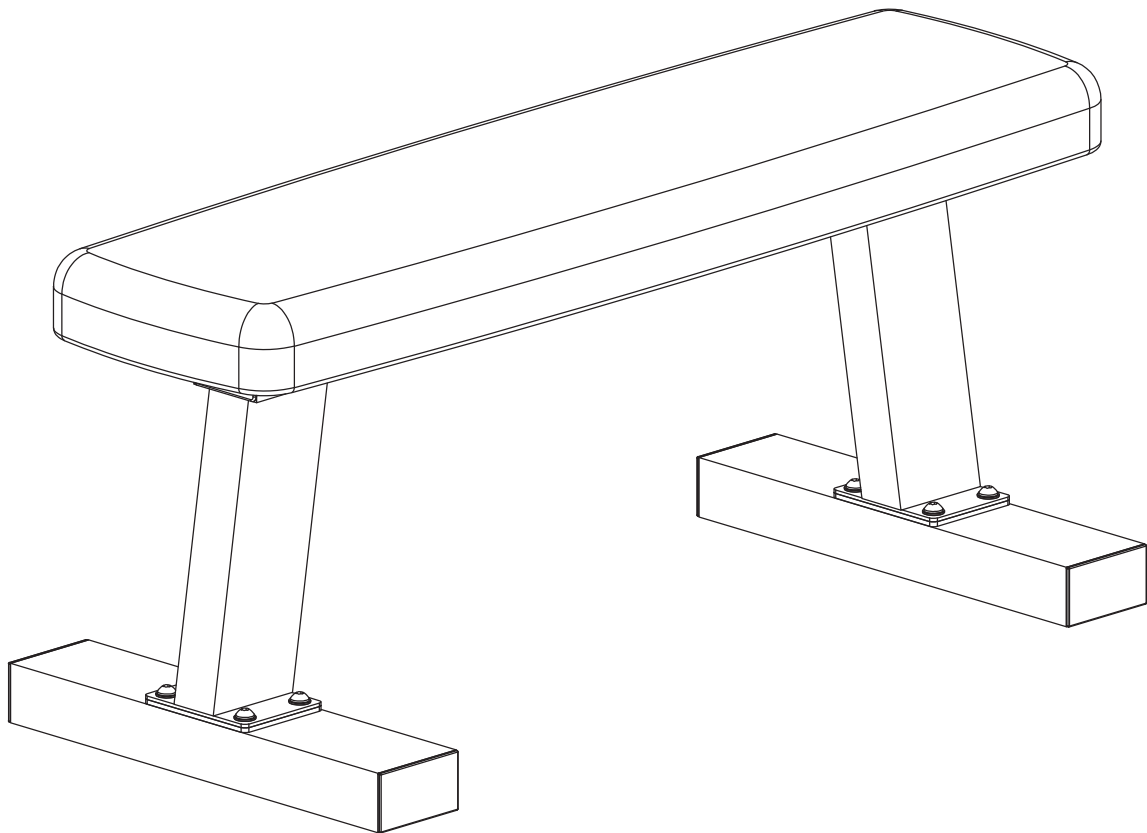


# MARCY<sup>®</sup>

## MARCY PRO FLAT BENCH

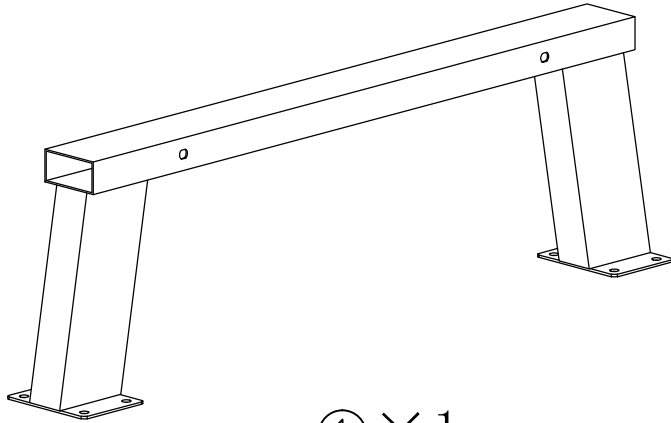
### SB-5405



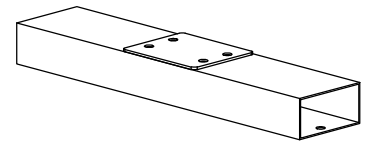
**IMPORTANT:** Please read the Important Safety Notice and Assembly Information in the Owner's manual before assembling this product.

**Assembly Manual**

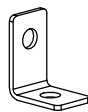
170701



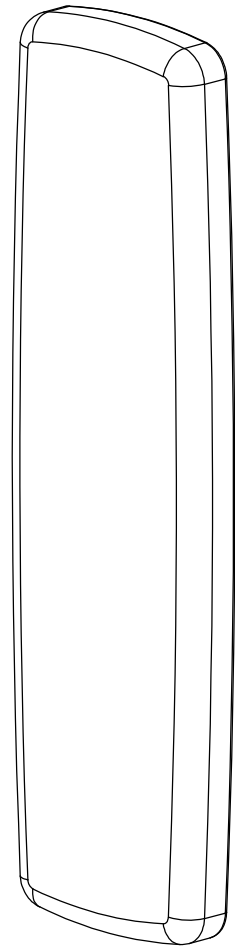
① × 1



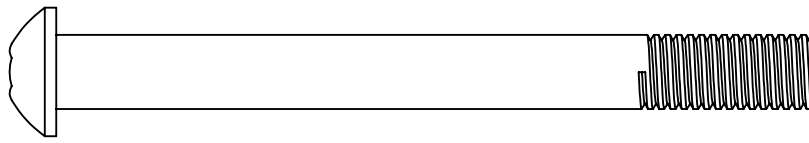
② × 2



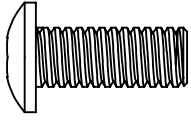
③ × 4



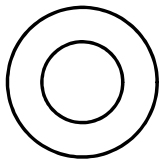
④ × 1



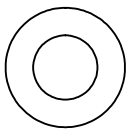
⑦ × 2



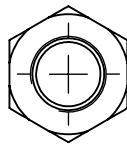
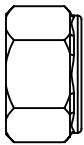
⑨ × 12



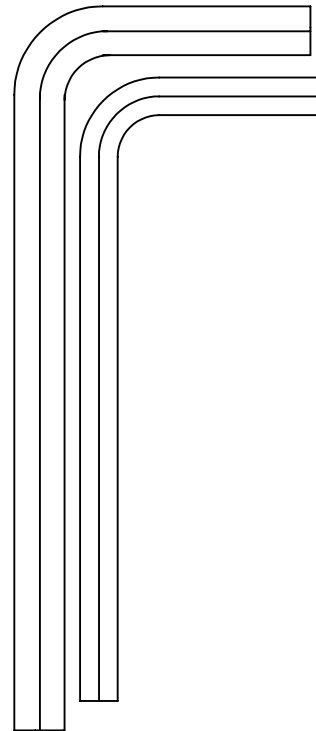
⑩ × 4



⑪ × 12

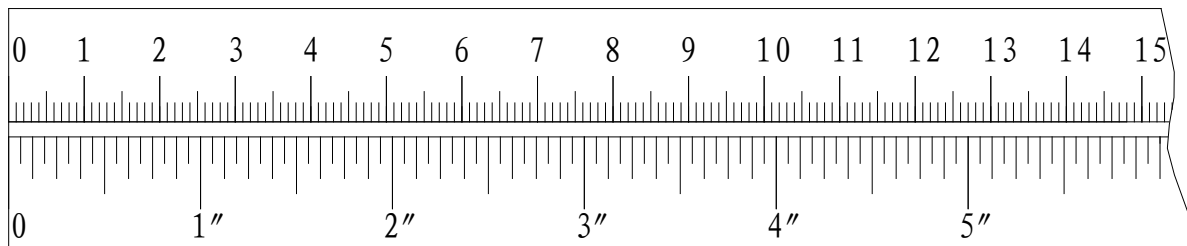


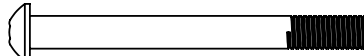





⑧ × 2

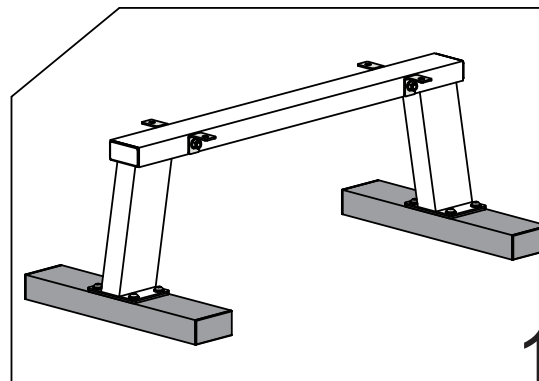
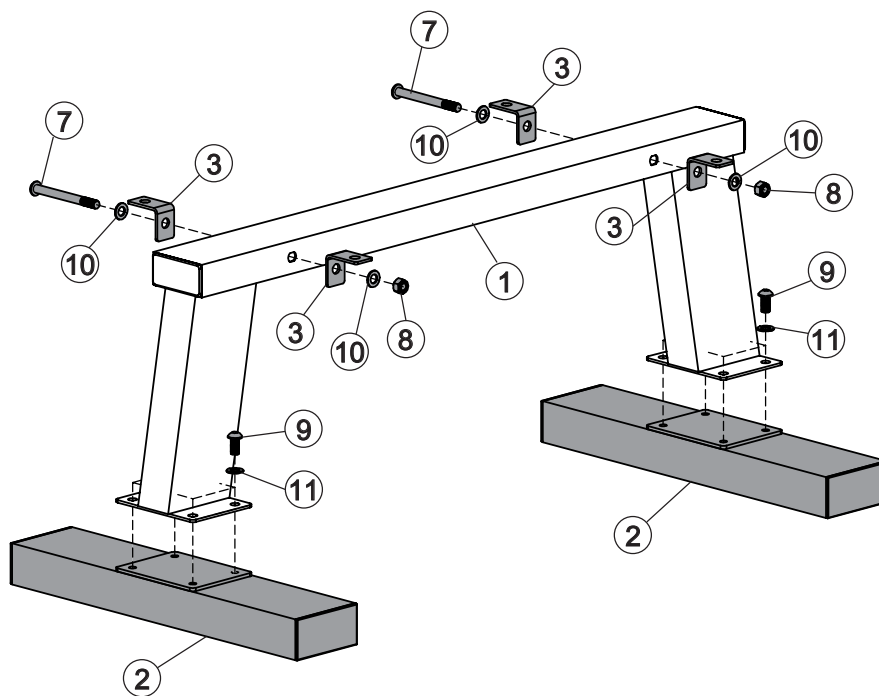
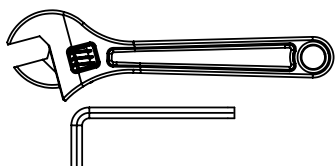


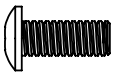
6# × 1 5# × 1

mm

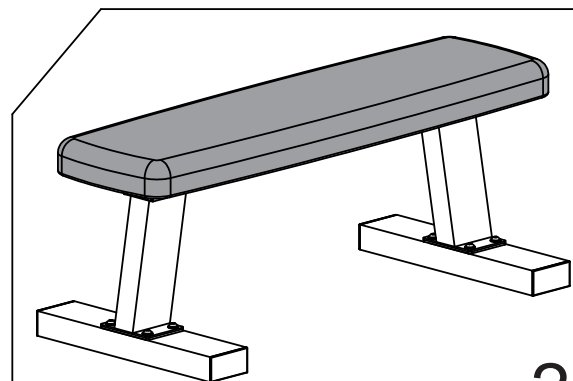
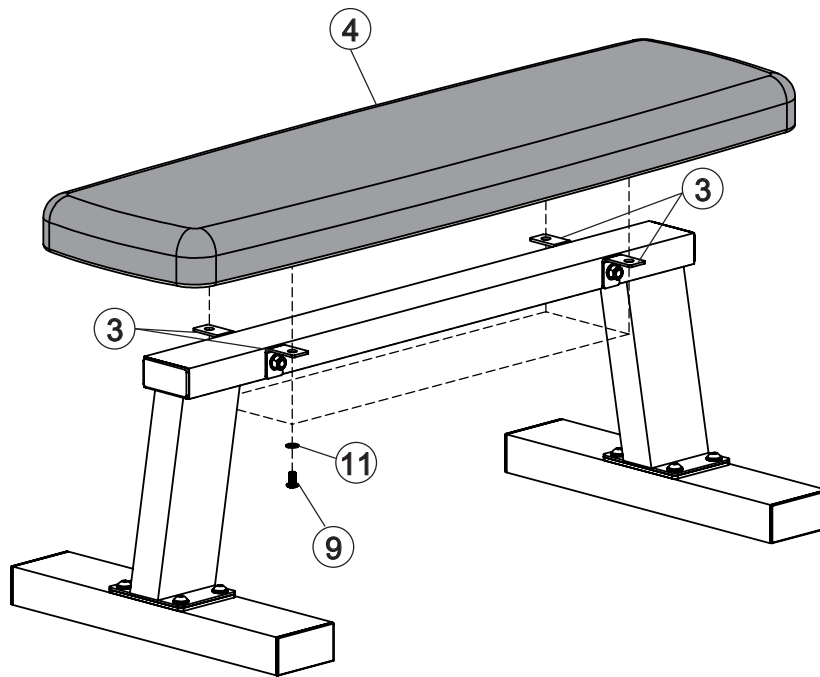
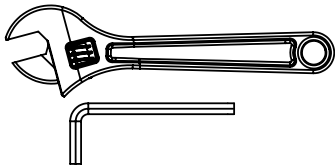


⑦		× 2	M10×4"
⑨		× 8	M8×3/4"
⑩		× 4	φ3/4"
⑪		× 8	φ5/8"
⑧	 	× 2	M10

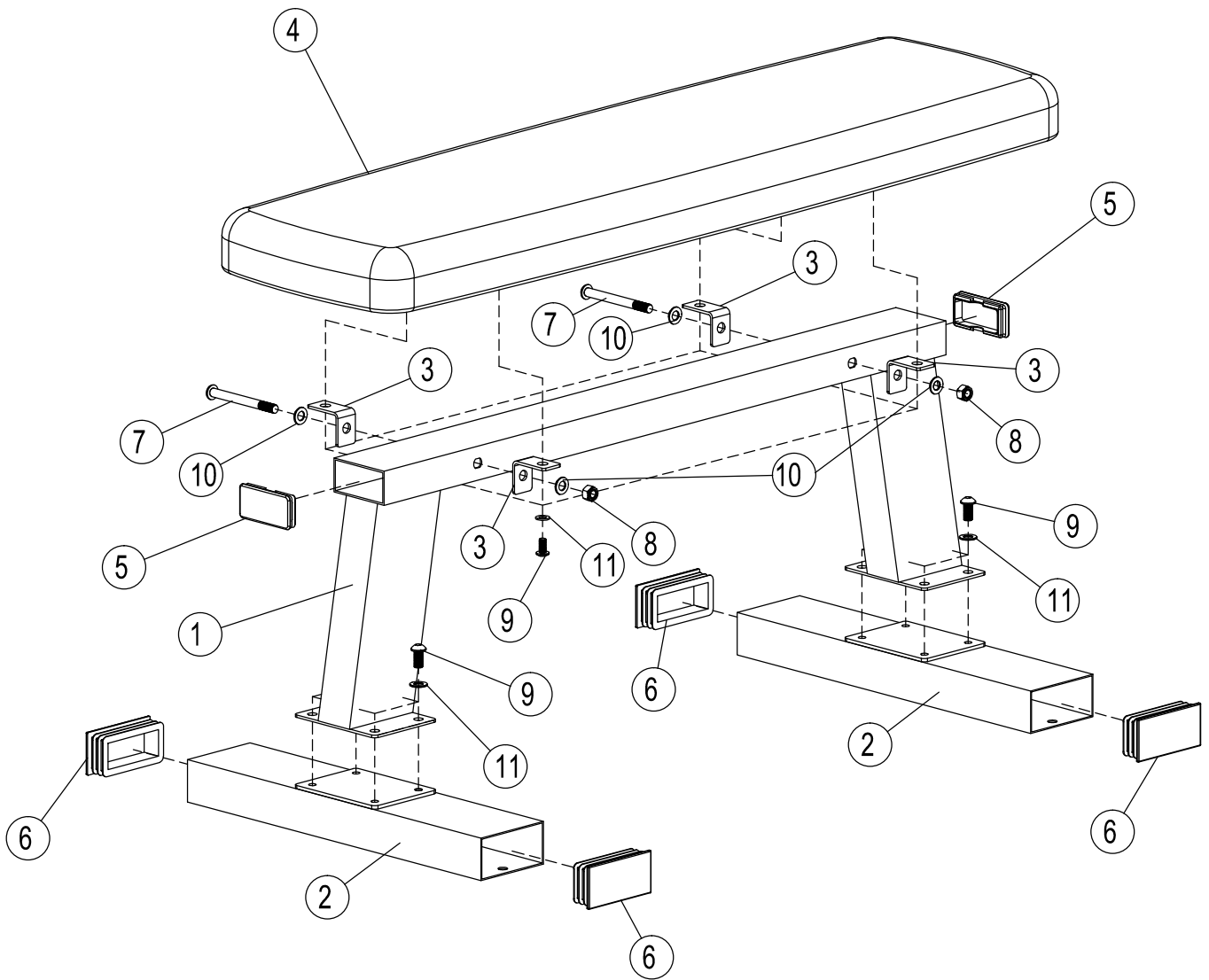


⑨  × 4 M8x3/4"

⑪  × 4 φ5/8"



2



**IMPEX® INC.**  
 2801 S. Towne Ave, Pomona, CA 91766  
 Tel: (800) 999-8899 Fax: (626) 961-9966  
[www.marcypro.com](http://www.marcypro.com)  
[support@impex-fitness.com](mailto:support@impex-fitness.com)